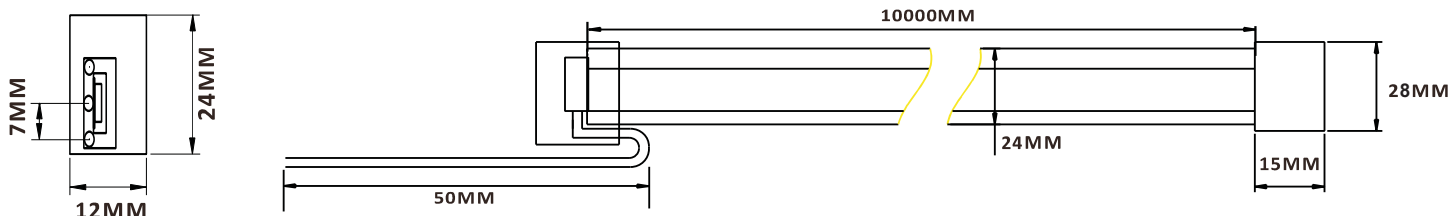




Breakthrough!! 1 LED fail, all still work

Product for indoor and outdoor architectural linear lighting on a DC24V S-shaped circuit, it can single run up to 10 meters. The LED circuit is completely encapsulated with TPU, this material allows be installing and using even at the extreme temp.: -40°C ~ +45°C. It can be used to create straight lines on flat and curved surfaces. Easy to install and a robust design for difficult environments. Using accessories to be ordered separately

Dimension

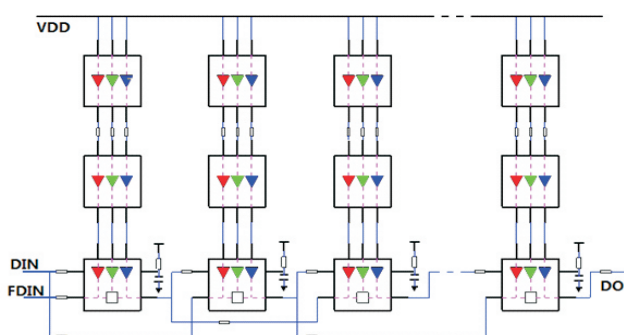


Specification

Model:	KL-LV24-IC-DLNF
CRI:	N/A
LED Color:	RGB (R:620-625nm; G:520-525nm; B:465-470nm)
Luminous angle:	120°
LED Package:	5050 (Build-in IC)
LED Qty:	72 LEDS/M
Pixel:	6LED/Section, 12Pixel/M
Operation Voltage:	DC24V Constant Voltage
Power consumption:	Max. 14.5W/M
Operation temp.:	-40°C ~ +45°C
IP level:	IP 68 Light Body
Cover Material:	PVC+UV/IR Protected TPU
FPCB:	S-Shaped, W=12MM, Rolled copper foil, (20z)
Wire gauge:	17 AWG
Max. Run:	Max.=10M
Control Technology:	SPI / DMX
Dimmable:	Yes
Cutting Length:	50CM

NOTE: The luminous flux and watt. is allowed to float with ± 10%

The Circuit Principle Diagram



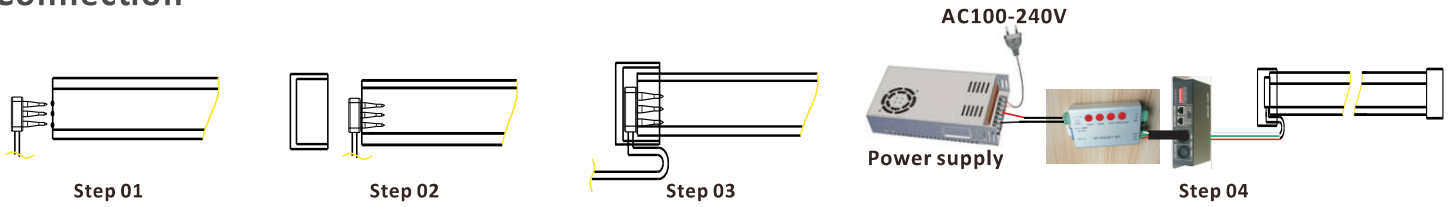
Features

- **Submersible**
IP68 Light Body that can used Indoor and outdoor
- **Max. Run on 24V = 10M**
Up to 10 meters run with single power
- **S-shaped FPCB**
Great flexible and twist-resistance.
- **UV Resistant**
Withstand direct exposure to sunlight.
- **Saltwater Safe**
Suitable for coastal / Marine environments.
- **Chlorine Resistant**
Submersible in chlorine-treated water.
- **Abrasion Resistant**
TPU cover, great abrasion resistant.
- **HTTP function**
A signal fail not affect the normal work, improve product stability.
- **Controller Technogy**
With the DMX decoder can support the DMX512 controller

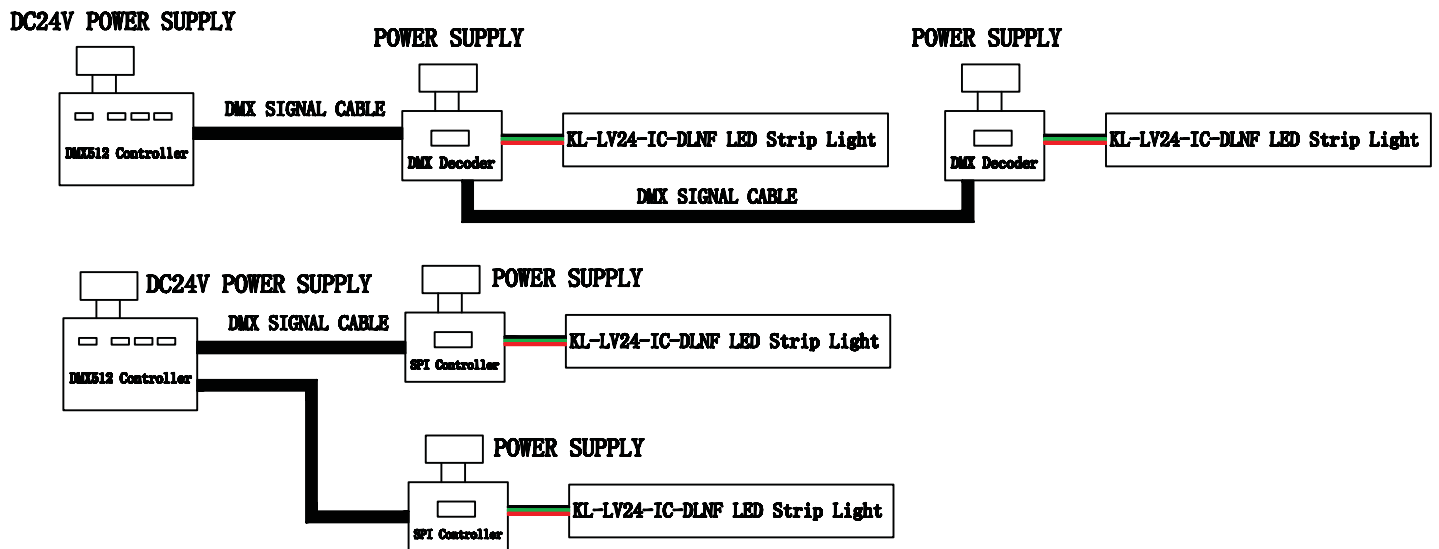
S-shaped FPCB inside



Connection



Controller Wiring Diagram

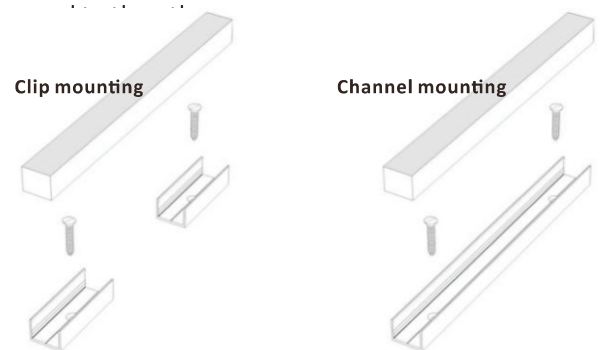


Installation

- **Note: It's Side View LED Neon Flex**
Please make sure that even during installation the predetermined bending direction is never changed.



- **Aluminum Mounting clip or channel**
Mount Aluminum clip or channel to desired surface using screws, once they are mounted, firmly press LED neon flex into the clip or channel, pressing one end first.



Application

- Channel letters signs
- Cove/under cabinet lighting
- Emergency exit
- Backlight for light boxes
- DIY lights for home use
- Display Case lighting
- Decorative lights for canopy, corridor, window, archway
- Any narrow space applications

